



REGULAR CATERING

EXPERIENCE THE TASTE OF THE CARIBBEAN



POLICY & GUIDELINES

Notice Requirement:

- We require two (2) weeks' notice for all Regular Catering orders.
- Orders placed less than **two (2) weeks** in advance will incur a mandatory late fee of **\$100.00** and will be required to pay in full at the time of booking
- Orders less than seven (7) days from the event date will not be accepted.



PAYMENT TERMS:

- To secure MNR Catering for your event, a **60% non-refundable Booking Retainer** is required.
- The remaining balance is due one (1) week prior to your event date.
- If a Booking Retainer is not made, the booking is not confirmed.



HOW WE CHARGE:

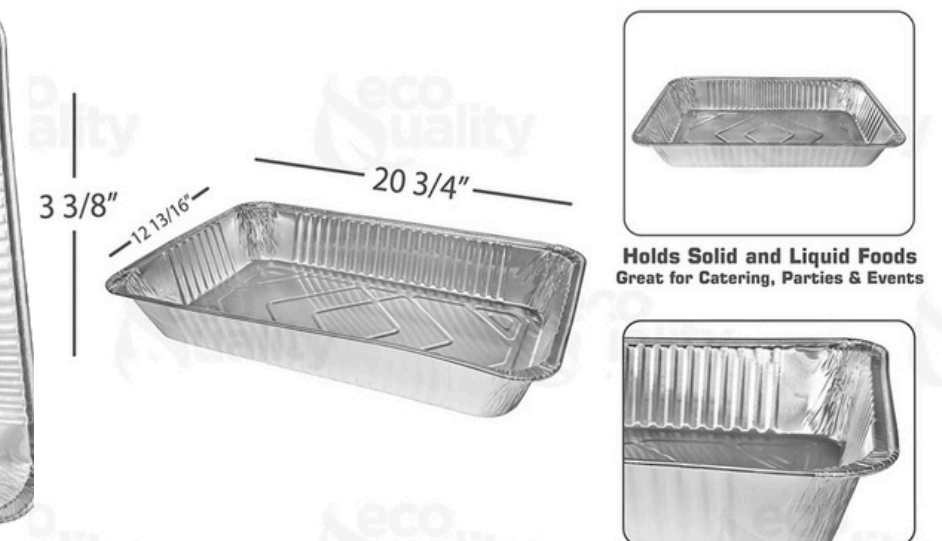
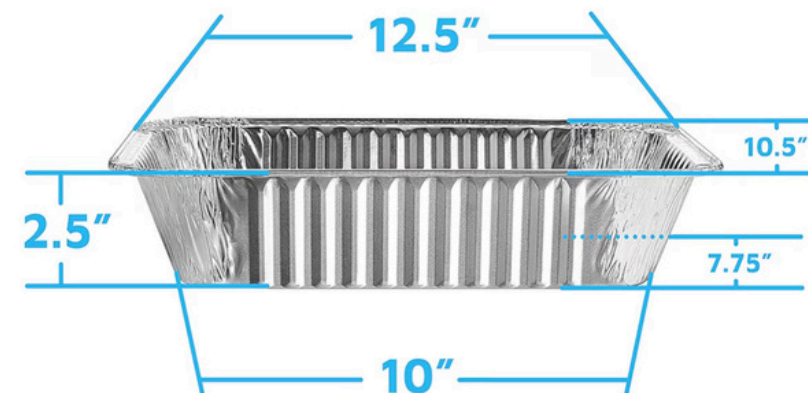
- Food Cost (Your Order)
- Delivery Fee: Starting at \$85.00 (Outside GTA extra charge)
- Chaffing Dish & Warmer Rental (If applicable)
- Setup Fee Starting at \$100.00 (If applicable)
- Tax: 13% tax will be added to your order.



PICK-UP OR DELIVERY ONLY

Our regular catering is available with pick-up or delivery options only.

Containers: All orders come in aluminum foil pans. See details below:



ACCEPTED PAYMENT METHODS

1. EMT (Email Money Transfer)
2. Cash
3. Debit/Credit (4.7% service charge fee - must be paid 7 business days prior to the event)
4. Cheque (Must be received 2 weeks prior to the event)
5. EFT (Electronic Funds Transfer)





APPETIZERS

GREEN CIRCLE ● BESIDE FOOD REPRESENTS VEGETARIAN

Items	Small Feeds 10 ppl	Medium Feeds 30 ppl	Large Feeds 50 ppl
● Pepper Shrimps <small>MOST REQUESTED</small>	\$135.00	\$250.00	\$310.00
● Breaded Shrimps	\$120.00	\$225.00	\$300.00
● Coconut Shrimps	\$120.00	\$225.00	\$300.00
● Corn on the Cob	\$80.00	\$140.00	\$225.00
Chicken wings <small>MOST REQUESTED</small>	\$90.00	\$150.00	\$235.00
● Spring Rolls <small>MOST REQUESTED</small>	\$65.00	\$120.00	\$195.00
Meatballs <small>MOST REQUESTED</small>	\$90.00	\$150.00	\$235.00
Crispy Chicken sliders	\$5.99 EACH	Minimum 24	2 DOZEN
Beef Burger Sliders	\$5.99 EACH	Minimum 24	2 DOZEN
Cornbeef Sliders <small>MOST REQUESTED</small>	\$2.99 EACH	Minimum 24	2 DOZEN
Cocktail Beef Sliders	\$2.50 EACH	Minimum 24	2 DOZEN



APPETIZERS

GREEN CIRCLE ● BESIDE FOOD REPRESENTS VEGETARIAN

Items	Small Feeds 10 ppl	Medium Feeds 30 ppl	Large Feeds 50 ppl
● Mac & Cheese Cups <small>MOST REQUESTED</small>	\$4.99	MINIMUM 24	2 DOZEN
● Plantain <small>MOST REQUESTED</small>	\$1.00	MINIMUM 36	3 DOZEN
● Festival <small>MOST REQUESTED</small>	\$1.00	MINIMUM 36	3 DOZEN
Chicken Tenders <small>MOST REQUESTED</small>	\$90.00	\$135.00	\$180.00
● Potato Wedges	\$60.00	\$90.00	\$120.00
● French Fries <small>MOST REQUESTED</small>	\$55.00	\$85.00	\$115.00
● Fruit Platter <small>MOST REQUESTED</small>	\$145.00 EACH		
● Vegetable Tray	\$110.00 EACH		
● Garlic Bread			
Charcuterie Platter	\$225.00 EACH		



PROTEIN

GREEN CIRCLE ● BESIDE FOOD REPRESENTS VEGETARIAN

Items	Small Feeds 10 ppl	Medium Feeds 30 ppl	Large Feeds 50 ppl
● Curry Chickpeas <small>MOST REQUESTED</small>	\$70.00	\$120.00	\$145.00
● Brown Stew Chickpeas <small>MOST REQUESTED</small>	\$70.00	\$120.00	\$145.00
● Stew Veggie Chunks <small>MOST REQUESTED</small>	\$70.00	\$120.00	\$145.00
● Curry Veggie Chunks <small>MOST REQUESTED</small>	\$70.00	\$120.00	\$145.00
Jerk Chicken <small>MOST REQUESTED</small>	\$95.00	\$170.00	\$225.00
BBQ Jerk Chicken <small>MOST REQUESTED</small>	\$95.00	\$170.00	\$225.00
Fried Chicken <small>MOST REQUESTED</small>	\$95.00	\$170.00	\$225.00
Stew Chicken	\$95.00	\$170.00	\$225.00
Curry Chicken <small>MOST REQUESTED</small>	\$95.00	\$170.00	\$225.00
Honey Garlic Chicken	\$95.00	\$170.00	\$225.00
Bake Chicken	\$95.00	\$170.00	\$225.00



PREMIUM PROTEIN

GREEN CIRCLE ● BESIDE FOOD REPRESENTS VEGETARIAN

Items	Small Feeds 10 ppl	Medium Feeds 30 ppl	Large Feeds 50 ppl
Oxtail <small>MOST REQUESTED</small>	\$175.00	\$300.00	\$400.00
Curry Oxtail	\$175.00	\$300.00	\$400.00
Curry Goat <small>MOST REQUESTED</small>	\$160.00	\$275.00	\$330.00
Stew Goat	\$160.00	\$275.00	\$330.00
Stew Beef	\$150.00	\$265.00	\$320.00
Jerk Pork	\$110.00	\$195.00	\$270.00
BBQ Pork Chops <small>MOST REQUESTED</small>	\$110.00	\$195.00	\$270.00
● Ackee & Saltfish <small>MOST REQUESTED</small>	\$190.00	\$275.00	\$380.00
● Salmon <small>MOST REQUESTED</small>	\$15 EACH	MINIMUM 12	1 DOZEN
● Escovitch Fish	\$15 EACH	MINIMUM 12	1 DOZEN
● Lobster Tail 4oz	\$20.00 EACH	MINIMUM 12	1 DOZEN



STARARCH

GREEN CIRCLE ● BESIDE FOOD REPRESENTS VEGETARIAN

Items	Small Feeds 10 ppl	Medium Feeds 30 ppl	Large Feeds 50 ppl
● Rice & Peas <small>MOST REQUESTED</small>	\$55.00	\$95.00	\$110.00
● Gungo Rice & Peas	\$55.00	\$95.00	\$110.00
● White Rice <small>MOST REQUESTED</small>	\$40.00	\$60.00	\$80.00
● Vegetable Rice	\$45.00	\$65.00	\$90.00
● Yellow Seasoned Rice <small>MOST REQUESTED</small>	\$50.00	\$75.00	\$100.00
● Fried Rice <small>MOST REQUESTED</small>	\$50.00	\$75.00	\$100.00
● Chicken Fried Rice <small>MOST REQUESTED</small>	\$60.00	\$90.00	\$120.00
● Shrimp Fried Rice	\$70.00	\$110.00	\$140.00
Pumpkin Rice	\$50.00	\$75.00	\$100.00
Shrimp & Chicken Fried Rice	\$75.00	\$115.00	\$145.00



SIDE DISHES

GREEN CIRCLE ● BESIDE FOOD REPRESENTS VEGETARIAN

Items	Small Feeds 10 ppl	Medium Feeds 30 ppl	Large Feeds 50 ppl
● Garden Salad <small>MOST REQUESTED</small>	\$65.00	\$105.00	\$130.00
● Cesar Salad	\$65.00	\$105.00	\$130.00
● Egg Salad	\$65.00	\$105.00	\$130.00
● Summer Salad	\$65.00	\$105.00	\$130.00
● Kale Salad <small>MOST REQUESTED</small>	\$75.00	\$115.00	\$150.00
● Coleslaw	\$70.00	\$110.00	\$140.00
● Macaroni Salad <small>MOST REQUESTED</small>	\$75.00	\$115.00	\$150.00
● Steam Veggies	\$80.00	\$120.00	\$160.00
● Steam Cabbage	\$65.00	\$105.00	\$130.00
● Steam Calaloo <small>MOST REQUESTED</small>	\$65.00	\$105.00	\$130.00
● Mashed Potatoes <small>MOST REQUESTED</small>	\$75.00	\$115.00	\$150.00



PASTA'S

GREEN CIRCLE ● BESIDE FOOD REPRESENTS VEGETARIAN

Items	Small Feeds 10 ppl	Medium Feeds 30 ppl	Large Feeds 50 ppl
● Mac & Cheese Pie MOST REQUESTED	\$105.00	\$165.00	\$210.00
● Veggie Rasta Pasta MOST REQUESTED	\$95.00	\$150.00	\$190.00
● Vegan Lasagna MOST REQUESTED	\$175.00	\$295.00	\$340.00
Meat Lasagna MOST REQUESTED	\$155.00	\$265.00	\$310.00
● Shrimp Rasta Pasta MOST REQUESTED	\$145.00	\$230.00	\$290.00
Chicken Rasta Pasta MOST REQUESTED	\$135.00	\$220.00	\$270.00
● Lobster Rasta Pasta MOST REQUESTED	\$190.00	\$300.00	\$380.00



DESSERTS

Items	Small Feeds 10 ppl	Medium Feeds 30 ppl	Large Feeds 50 ppl
Cupcakes <small>MOST REQUESTED</small>	\$40.00 A DOZEN		
Brownies	\$40.00 A DOZEN		
Dipped Berries <small>MOST REQUESTED</small>	\$45.00 A DOZEN		
Cookies <small>MOST REQUESTED</small>	\$55 A DOZEN	CHOCOLATE CHIP BASE	FLAVOURS: OREO, SALTED CARAMEL, BUTTERSCOTCH, SKOR, MINI EGGS
Cheesecake Shooters <small>MOST REQUESTED</small>	\$45.00 A DOZEN		
Rum Cake Cupcakes	\$60.00 A DOZEN		
Cheesecake Cups <small>MOST REQUESTED</small>	\$60 A DOZEN		FLAVOURS: STRAWBERRY, OREO, SALTED CARAMEL, APPLE PIE, BUTTERSCOTCH, SKOR, CHERRY, MINI EGGS
Candied Popcorn <small>MOST REQUESTED</small>	\$4.00 EACH	MINIMUM 24	2 DOZEN
Mini Fruit Cups <small>MOST REQUESTED</small>	\$5.99 EACH	MINIMUM 24	2 DOZEN



DESSERTS

Items	Medium Feeds 30 ppl	Small Feeds 10 ppl	Large Feeds 50 ppl
Fruit Skewers	MINIMUM 24	\$7.99 EACH	2 DOZEN
Charcuterie Cups	MINIMUM 24	\$13.00 EACH	2 DOZEN
Mini Donuts <small>MOST REQUESTED</small>	MINIMUM 24	\$25.00 A DOZEN	2 DOZEN
Cornbread <small>MOST REQUESTED</small>	MINIMUM 24	\$20.00 A DOZEN	2 DOZEN



BRUNCH ITEMS

GREEN CIRCLE ● BESIDE FOOD REPRESENTS VEGETARIAN

Items	Small Feeds 10 ppl	Medium Feeds 30 ppl	Large Feeds 50 ppl
● Waffles <small>MOST REQUESTED</small>	\$75.00	\$125.00	\$150.00
● French Toast <small>MOST REQUESTED</small>	\$75.00	\$125.00	\$150.00
● Pancakes <small>MOST REQUESTED</small>	\$70.00	\$120.00	\$140.00
● Hashbrown Patties	\$60.00	\$110.00	\$120.00
Scrambled Eggs <small>MOST REQUESTED</small>	\$75.00	\$125.00	\$150.00
Boiled Eggs	\$70.00	\$125.00	\$140.00
Cornbeef & Cabbage <small>MOST REQUESTED</small>	\$75.00	\$125.00	\$150.00
Bacon <small>MOST REQUESTED</small>	\$80.00	\$130.00	\$160.00
Sausages	\$65.00	\$115.00	\$130.00
● Brunch Potatoes	\$65.00	\$115.00	\$130.00
● Banana Fritters	\$75.00	\$125.00	\$150.00

CHAFFING DISH & WARMER RENTAL

Enhance your presentation and keep your cuisine at the *perfect* serving temperature with our *premium warmer rentals*. The *perfect finishing touch* for any event.

Silver Standard Warmer - \$30 each

Elegant Gold Warmer - \$70 each

(Available in gold or silver finish)

Heat Lamp Warmer - \$89 each

Chafing Fuel (6-hour burn time) - \$8.25 each



Silver Standard Warmer



Elegant Gold Warmer