



REGULAR CATERING

EXPERIENCE THE TASTE OF THE CARIBBEAN



POLICY & GUIDELINES

Notice Requirement:

- We require two (2) weeks' notice for all Regular Catering orders.
- Orders placed less than **two (2) weeks** in advance will incur a mandatory late fee of **\$100.00** and will be required to pay in full at the time of booking
- Orders less than seven (7) days from the event date will not be accepted.



PAYMENT TERMS:

- To secure MNR Catering for your event, a **60% non-refundable Booking Retainer** is required.
- The remaining balance is due one (1) week prior to your event date.
- If a Booking Retainer is not made, the booking is not confirmed.



HOW WE CHARGE:

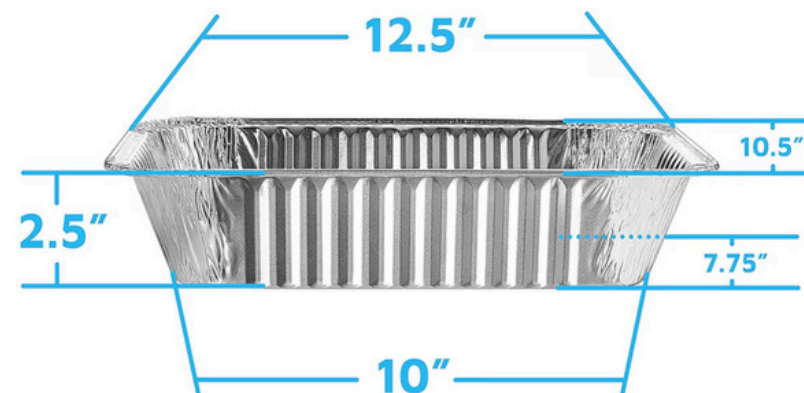
- Food Cost (Your Order)
- Delivery Fee: Starting at \$85.00 (Outside GTA extra charge)
- Chaffing Dish & Warmer Rental (If applicable)
- Setup Fee Starting at \$100.00 (If applicable)
- Tax: 13% tax will be added to your order.



PICK-UP OR DELIVERY ONLY

Our regular catering is available with pick-up or delivery options only.

Containers: All orders come in aluminum foil pans. See details below:



ACCEPTED PAYMENT METHODS

1. EMT (Email Money Transfer)
2. Cash
3. Debit/Credit (4.7% service charge fee - must be paid 7 business days prior to the event)
4. Cheque (Must be received 2 weeks prior to the event)
5. EFT (Electronic Funds Transfer)





APPETIZERS

GREEN CIRCLE ● BESIDE FOOD REPRESENTS VEGETARIAN

| Items | Small Feeds 10 ppl | Medium Feeds 30 ppl | Large Feeds 50 ppl |
|---|--------------------|---------------------|--------------------|
| ● Pepper Shrimps <small>MOST REQUESTED</small> | \$135.00 | \$250.00 | \$310.00 |
| ● Breaded Shrimps | \$120.00 | \$225.00 | \$300.00 |
| ● Coconut Shrimps | \$120.00 | \$225.00 | \$300.00 |
| ● Corn on the Cob | \$80.00 | \$140.00 | \$225.00 |
| Chicken wings <small>MOST REQUESTED</small> | \$90.00 | \$150.00 | \$235.00 |
| ● Spring Rolls <small>MOST REQUESTED</small> | \$65.00 | \$120.00 | \$195.00 |
| Meatballs <small>MOST REQUESTED</small> | \$90.00 | \$150.00 | \$235.00 |
| Crispy Chicken sliders | \$5.99 EACH | Minimum 24 | 2 DOZEN |
| Beef Burger Sliders | \$5.99 EACH | Minimum 24 | 2 DOZEN |
| Cornbeef Sliders <small>MOST REQUESTED</small> | \$2.99 EACH | Minimum 24 | 2 DOZEN |
| Cocktail Beef Sliders | \$2.50 EACH | Minimum 24 | 2 DOZEN |



APPETIZERS

GREEN CIRCLE ● BESIDE FOOD REPRESENTS VEGETARIAN

| Items | Small Feeds 10 ppl | Medium Feeds 30 ppl | Large Feeds 50 ppl |
|--|-----------------------|------------------------|-----------------------|
| ● Mac & Cheese Cups <small>MOST REQUESTED</small> | \$4.99 | MINIMUM 24 | 2 DOZEN |
| ● Plantain <small>MOST REQUESTED</small> | \$1.00 | MINIMUM 36 | 3 DOZEN |
| ● Festival <small>MOST REQUESTED</small> | \$1.00 | MINIMUM 36 | 3 DOZEN |
| Chicken Tenders <small>MOST REQUESTED</small> | \$90.00 | \$135.00 | \$180.00 |
| ● Potato Wedges | \$60.00 | \$90.00 | \$120.00 |
| ● French Fries <small>MOST REQUESTED</small> | \$55.00 | \$85.00 | \$115.00 |
| ● Fruit Platter <small>MOST REQUESTED</small> | \$145.00 EACH | | |
| ● Vegetable Tray | \$110.00 EACH | | |
| ● Garlic Bread | | | |
| Charcuterie Platter | \$225.00 EACH | | |



PROTEIN

GREEN CIRCLE ● BESIDE FOOD REPRESENTS VEGETARIAN

| Items | Small Feeds 10 ppl | Medium Feeds 30 ppl | Large Feeds 50 ppl |
|---|--------------------|---------------------|--------------------|
| ● Curry Chickpeas <small>MOST REQUESTED</small> | \$70.00 | \$120.00 | \$145.00 |
| ● Brown Stew Chickpeas <small>MOST REQUESTED</small> | \$70.00 | \$120.00 | \$145.00 |
| ● Stew Veggie Chunks <small>MOST REQUESTED</small> | \$70.00 | \$120.00 | \$145.00 |
| ● Curry Veggie Chunks <small>MOST REQUESTED</small> | \$70.00 | \$120.00 | \$145.00 |
| Jerk Chicken <small>MOST REQUESTED</small> | \$95.00 | \$170.00 | \$225.00 |
| BBQ Jerk Chicken <small>MOST REQUESTED</small> | \$95.00 | \$170.00 | \$225.00 |
| Fried Chicken <small>MOST REQUESTED</small> | \$95.00 | \$170.00 | \$225.00 |
| Stew Chicken | \$95.00 | \$170.00 | \$225.00 |
| Curry Chicken <small>MOST REQUESTED</small> | \$95.00 | \$170.00 | \$225.00 |
| Honey Garlic Chicken | \$95.00 | \$170.00 | \$225.00 |
| Bake Chicken | \$95.00 | \$170.00 | \$225.00 |



PREMIUM PROTEIN

GREEN CIRCLE ● BESIDE FOOD REPRESENTS VEGETARIAN

| Items | Small Feeds 10 ppl | Medium Feeds 30 ppl | Large Feeds 50 ppl |
|---|--------------------|---------------------|--------------------|
| Oxtail <small>MOST REQUESTED</small> | \$175.00 | \$300.00 | \$400.00 |
| Curry Oxtail | \$175.00 | \$300.00 | \$400.00 |
| Curry Goat <small>MOST REQUESTED</small> | \$160.00 | \$275.00 | \$330.00 |
| Stew Goat | \$160.00 | \$275.00 | \$330.00 |
| Stew Beef | \$150.00 | \$265.00 | \$320.00 |
| Jerk Pork | \$110.00 | \$195.00 | \$270.00 |
| BBQ Pork Chops <small>MOST REQUESTED</small> | \$110.00 | \$195.00 | \$270.00 |
| ● Ackee & Saltfish <small>MOST REQUESTED</small> | \$190.00 | \$275.00 | \$380.00 |
| ● Salmon <small>MOST REQUESTED</small> | \$15 EACH | MINIMUM 12 | 1 DOZEN |
| ● Escovitch Fish | \$15 EACH | MINIMUM 12 | 1 DOZEN |
| ● Lobster Tail 4oz | \$20.00 EACH | MINIMUM 12 | 1 DOZEN |



STARARCH

GREEN CIRCLE ● BESIDE FOOD REPRESENTS VEGETARIAN

| Items | Small Feeds 10 ppl | Medium Feeds 30 ppl | Large Feeds 50 ppl |
|---|-----------------------|------------------------|-----------------------|
| ● Rice & Peas <small>MOST REQUESTED</small> | \$55.00 | \$95.00 | \$110.00 |
| ● Gungo Rice & Peas | \$55.00 | \$95.00 | \$110.00 |
| ● White Rice <small>MOST REQUESTED</small> | \$40.00 | \$60.00 | \$80.00 |
| ● Vegetable Rice | \$45.00 | \$65.00 | \$90.00 |
| ● Yellow Seasoned Rice <small>MOST REQUESTED</small> | \$50.00 | \$75.00 | \$100.00 |
| ● Fried Rice <small>MOST REQUESTED</small> | \$50.00 | \$75.00 | \$100.00 |
| ● Chicken Fried Rice <small>MOST REQUESTED</small> | \$60.00 | \$90.00 | \$120.00 |
| ● Shrimp Fried Rice | \$70.00 | \$110.00 | \$140.00 |
| Pumpkin Rice | \$50.00 | \$75.00 | \$100.00 |
| Shrimp & Chicken Fried Rice | \$75.00 | \$115.00 | \$145.00 |



SIDE DISHES

GREEN CIRCLE ● BESIDE FOOD REPRESENTS VEGETARIAN

| Items | Small Feeds 10 ppl | Medium Feeds 30 ppl | Large Feeds 50 ppl |
|--|-----------------------|------------------------|-----------------------|
| ● Garden Salad <small>MOST REQUESTED</small> | \$65.00 | \$105.00 | \$130.00 |
| ● Cesar Salad | \$65.00 | \$105.00 | \$130.00 |
| ● Egg Salad | \$65.00 | \$105.00 | \$130.00 |
| ● Summer Salad | \$65.00 | \$105.00 | \$130.00 |
| ● Kale Salad <small>MOST REQUESTED</small> | \$75.00 | \$115.00 | \$150.00 |
| ● Coleslaw | \$70.00 | \$110.00 | \$140.00 |
| ● Macaroni Salad <small>MOST REQUESTED</small> | \$75.00 | \$115.00 | \$150.00 |
| ● Steam Veggies | \$80.00 | \$120.00 | \$160.00 |
| ● Steam Cabbage | \$65.00 | \$105.00 | \$130.00 |
| ● Steam Calaloo <small>MOST REQUESTED</small> | \$65.00 | \$105.00 | \$130.00 |
| ● Mashed Potatoes <small>MOST REQUESTED</small> | \$75.00 | \$115.00 | \$150.00 |



PASTA'S

GREEN CIRCLE ● BESIDE FOOD REPRESENTS VEGETARIAN

| Items | Small Feeds 10 ppl | Medium Feeds 30 ppl | Large Feeds 50 ppl |
|---|-----------------------|------------------------|-----------------------|
| ● Mac & Cheese Pie MOST REQUESTED | \$105.00 | \$165.00 | \$210.00 |
| ● Veggie Rasta Pasta MOST REQUESTED | \$95.00 | \$150.00 | \$190.00 |
| ● Vegan Lasagna MOST REQUESTED | \$175.00 | \$295.00 | \$340.00 |
| Meat Lasagna MOST REQUESTED | \$155.00 | \$265.00 | \$310.00 |
| ● Shrimp Rasta Pasta MOST REQUESTED | \$145.00 | \$230.00 | \$290.00 |
| Chicken Rasta Pasta MOST REQUESTED | \$135.00 | \$220.00 | \$270.00 |
| ● Lobster Rasta Pasta MOST REQUESTED | \$190.00 | \$300.00 | \$380.00 |



DESSERTS

| Items | Small Feeds 10 ppl | Medium Feeds 30 ppl | Large Feeds 50 ppl |
|--|-----------------------|------------------------|--|
| Cupcakes <small>MOST REQUESTED</small> | \$40.00 A DOZEN | | |
| Brownies | \$40.00 A DOZEN | | |
| Dipped Berries <small>MOST REQUESTED</small> | \$45.00 A DOZEN | | |
| Cookies <small>MOST REQUESTED</small> | \$55 A DOZEN | CHOCOLATE CHIP BASE | FLAVOURS: OREO, SALTED CARMEL, BUTTERSCOTCH, SKOR, MINI EGGS |
| Cheesecake Shooters <small>MOST REQUESTED</small> | \$45.00 A DOZEN | | |
| Rum Cake Cupcakes | \$60.00 A DOZEN | | |
| Cheesecake Cups <small>MOST REQUESTED</small> | \$60 A DOZEN | | FLAVOURS: STRAWBERRY, OREO, SALTED CARMEL, APPLE PIE, BUTTERSCOTCH, SKOR, CHERRY, MINI EGGS |
| Candied Popcorn <small>MOST REQUESTED</small> | \$4.00 EACH | MINIMUM 24 | 2 DOZEN |
| Mini Fruit Cups <small>MOST REQUESTED</small> | \$5.99 EACH | MINIMUM 24 | 2 DOZEN |



DESSERTS

| Items | Medium Feeds 30 ppl | Small Feeds 10 ppl | Large Feeds 50 ppl |
|--|------------------------|-----------------------|-----------------------|
| Fruit Skewers | MINIMUM 24 | \$7.99 EACH | 2 DOZEN |
| Charcuterie Cups | MINIMUM 24 | \$13.00 EACH | 2 DOZEN |
| Mini Donuts <small>MOST REQUESTED</small> | MINIMUM 24 | \$25.00 A DOZEN | 2 DOZEN |
| Cornbread <small>MOST REQUESTED</small> | MINIMUM 24 | \$20.00 A DOZEN | 2 DOZEN |

CHAFFING DISH & WARMER RENTAL

Enhance your presentation and keep your cuisine at the *perfect* serving temperature with our *premium warmer rentals*. The *perfect finishing touch* for any event.

Silver Standard Warmer - \$30 each

Elegant Gold Warmer - \$70 each

(Available in gold or silver finish)

Heat Lamp Warmer - \$89 each

Chafing Fuel (6-hour burn time) - \$8.25 each



Silver Standard Warmer



Elegant Gold Warmer